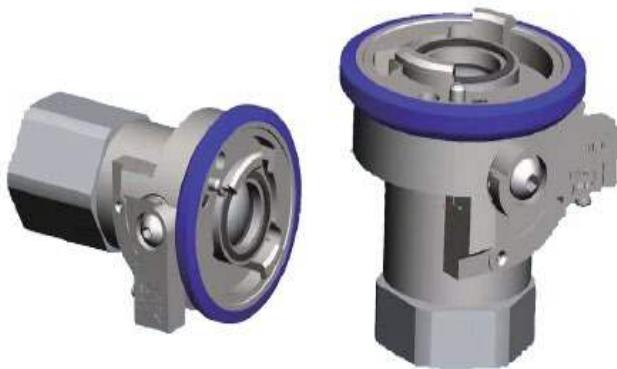


Fact sheet

Danfoss Hansen® FD22 Series Coupling

Fluid Transfer



Danfoss Hansen's FD22 coupling is designed for fluid transfer applications where full flow, fluid compatibility and safety are essential.

The FD22 identical halves include two interlock features to eliminate spills and ensure maximum safety. Valves cannot be opened until the coupling halves are mated and coupling halves cannot be disconnected until both halves are closed.

Product features

- Dual interlock safety feature eliminates accidental opening of coupling when disconnected with the use of a patented locking pin design and lever handle.
- Identical coupling halves
- Design provides reliable performance and no spillage during maintenance or service
- Standard body material: 304 stainless steel material provides broad fluid compatibility
- Standard seal material: EPDM, additional material available on request
- Full flow coupling

Physical Characteristics

Coupling Size (in)	Max. Operating Pressure				Min. Burst Pressure				Rated Flow		Fluid Loss
	Connected (bar)	Connected (psi)	Disconnected (bar)	Disconnected (psi)	Connected (bar)	Connected (Psi)	Disconnected (bar)	Disconnected (psi)	(lpm)	(gpm)	cc.max
1	10	150	10	150	20	300	20	300	175	46	5.0

Dimensions

Part Number	Body Size	Port Size	Thread	Type	Fig.	A (mm)	B(mm)	Hex (mm)
FD22-3038-16-16	1	1	1X11.5	Female NPT	1	95.5	71.6	41
FD22-3038-12-16	1	3/4	3/4X14	Female NPT	1	70.1	71.6	41

Note: The order number is a single piece

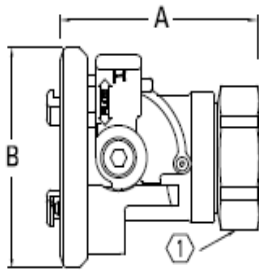
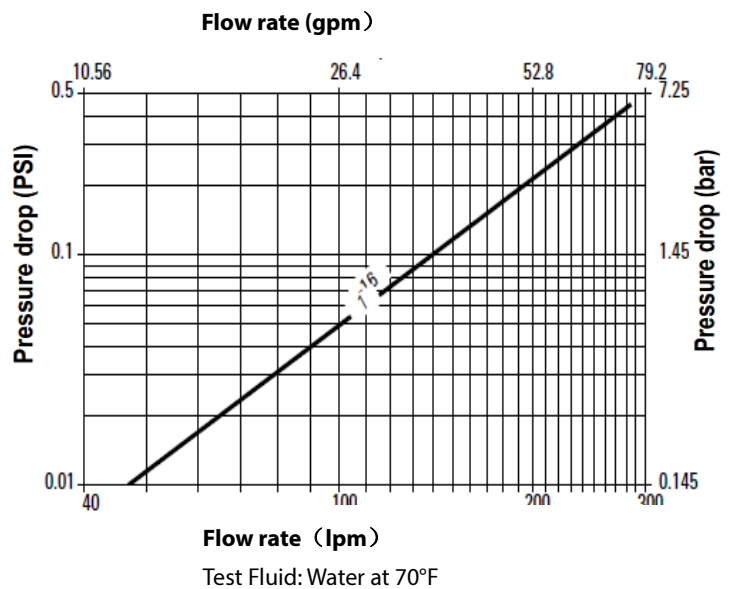


Figure 1

Applications & Markets

- Industrial Fluid Transfer
- Thermal Management Systems

Flow Data



Spare Parts

Part Number	Spare Part Description
FD22-2014-16	FD22 Face Seal
FD22-2015-16	FD22 Bumper Seal